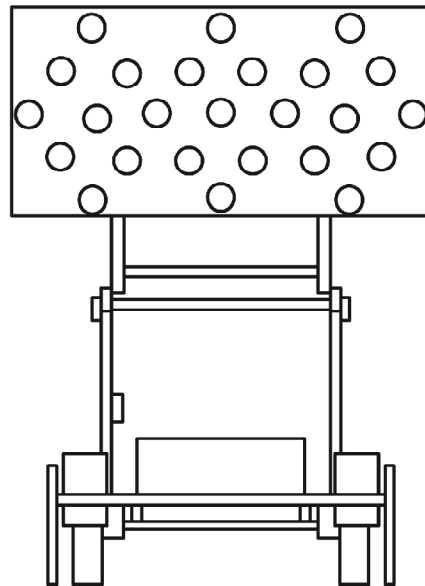
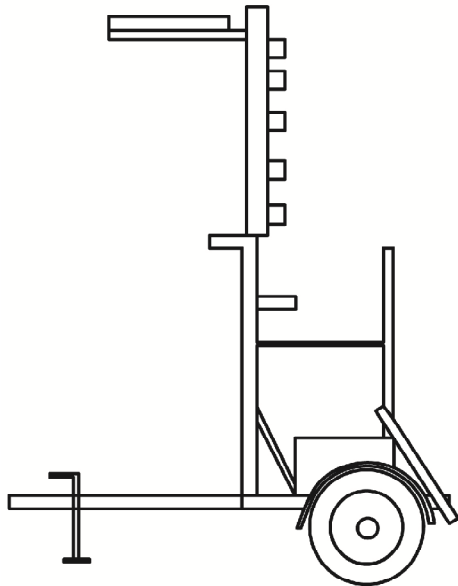
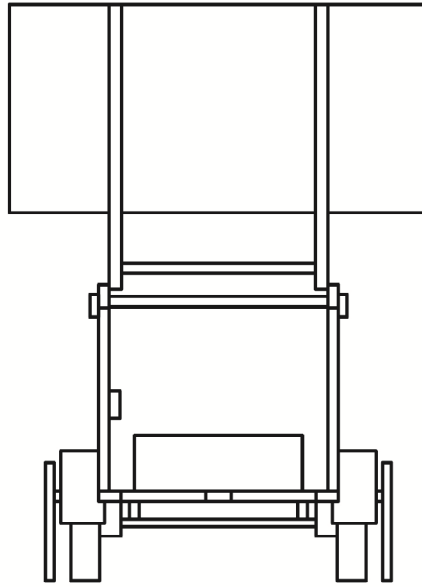
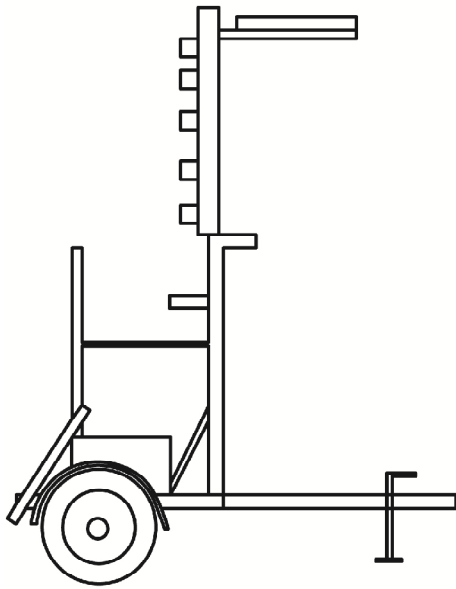


Vehicle Inspection

Date: _____ Truck #: _____ Driver: _____

Supervisor: _____ Manager: _____



Notes: _____
